

SINGER
9030/9034/9044

LIST OF PARTS

Sewing Machine Models

9030

9034

9044

From the library of: Diamond Needle Corp

by **SINGER***



A Publication of Product Support
International Group Engineering

Part No. 317161-084

Printed in Taiwan

SINGER Is a Registered Trademark of The Singer Company Limited
Copyright 1997, Singer Sewing Machine Company

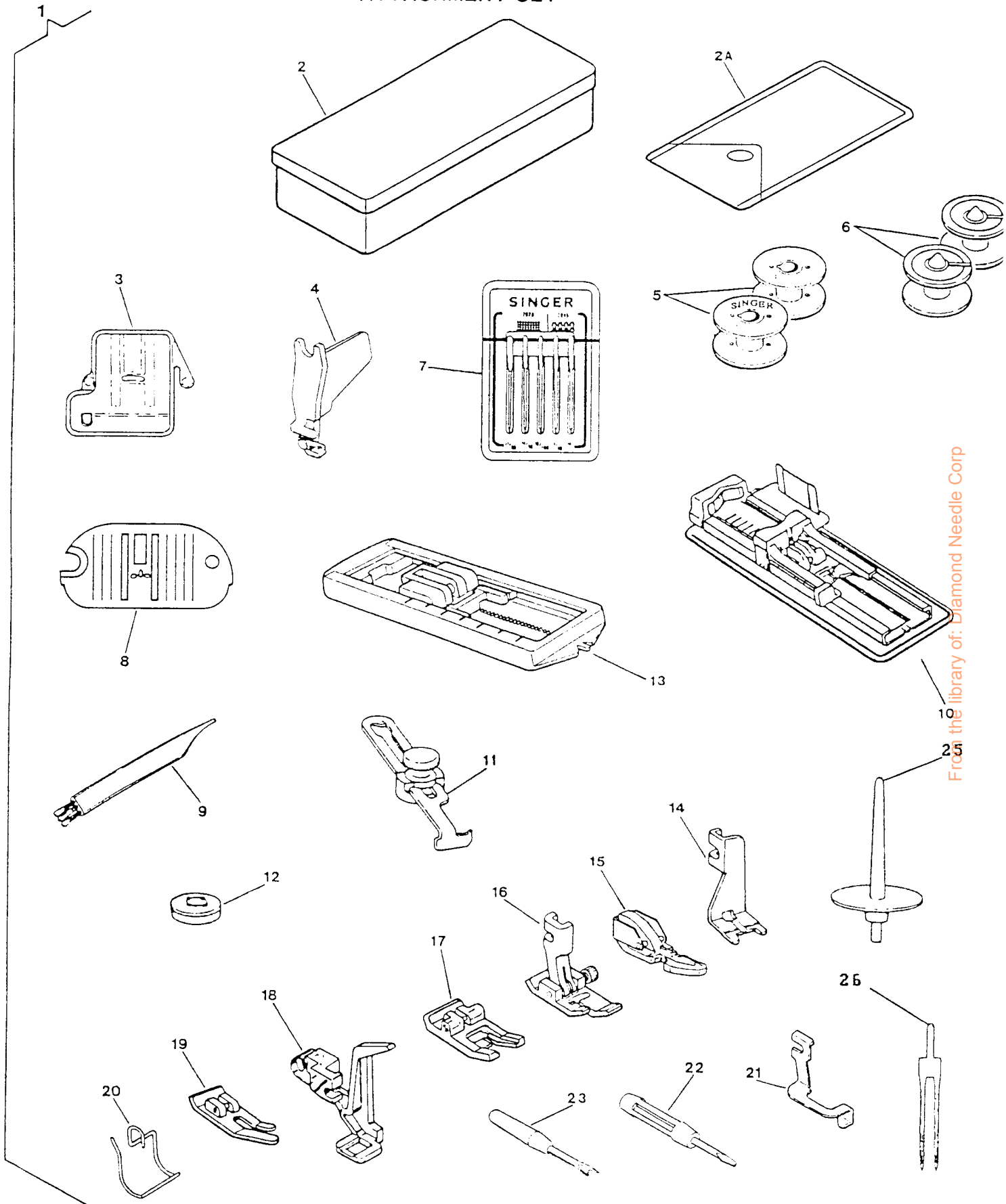
All rights reserved throughout the world

INDEX

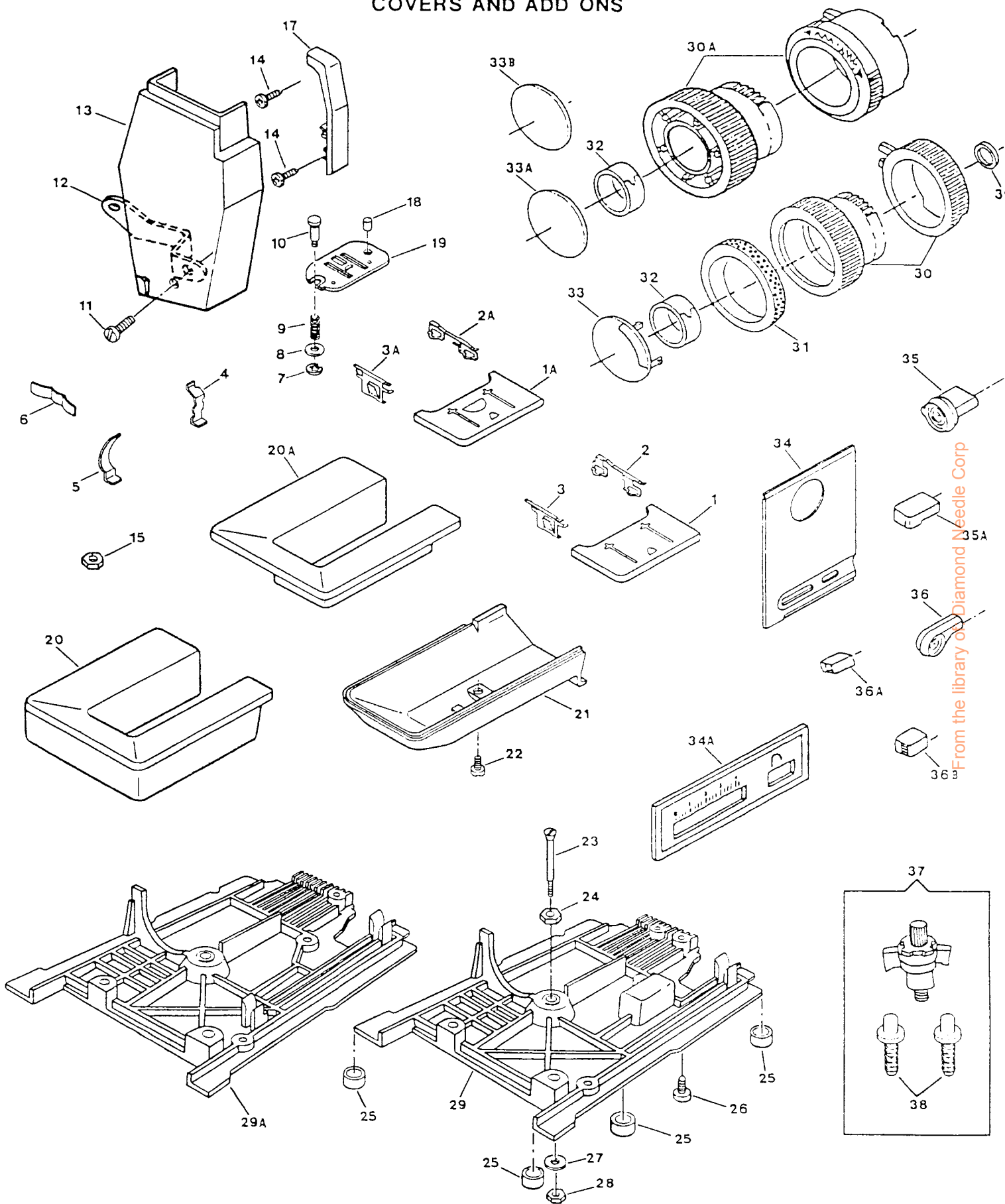
PAGE NO.	SUBASSEMBLY
1 , 2	ATTACHMENT SET
3 , 4	COVERS AND ADD ONS
5 , 8	ARM TOP COVER
9 , 10	ARM SHAFT DRIVE SYSTEM
11, 12	HAND WHEEL
13, 14	COAXIAL PRESSER BAR SYSTEM
15, 16	NEEDLE BAR & THREAD TAKE-UP
17, 18	ALPHA FEED
19, 20	HOOK SYSTEM (APOLLO)
21, 22	HOOK AND BOBBIN WINDING SYSTEM (CENTAUR)
23, 28	PATTERN, STITCH LENGTH CONTROL & CAM CONTROLLED FEED
29, 30	DEMAND RESPONSIVE NEEDLE TENSION SYTEM
31, 34	ELECTRICAL EQUIPMENT

ATTACHMENT SET
 MODEL: 9030 9034 9044 (N503)

REF. NO.	PART NO.	DESCRIPTION	9N	9N	9N
			05	05	05
			30	30	40
			03	43	43
1	313030-019	ATTACHMENT SET	X		X
1	313030-101	ATTACHMENT COMPLETE		X	
2A	317396	ACCESSARY BAG	X	X	X
2B	286624	ACCESSARY BAG		X	X
3	313117	FEED COVER PLATE	X	X	X
5	172336-001	BOBBIN (APOLLO)	X	X	X
7	353364	NEEDLE PACK	X	X	X
9	546358-453	LINT BRUSH	X	X	X
15	171480	PRESSER FOOT PLATE FOR CORDING AND SLIDE FASTENERS COMPLETE	X	X	X
17	171463	SPECIAL PURPOSE PRESSER FOOT PLATE	X	X	X
21	171110	BLINDSTITCH GUIDE	X	X	X
23	546357-453	SEAM RIPPER	X		X



From the library of: Diamond Needle Corp



From the library of Diamond Needle Corp

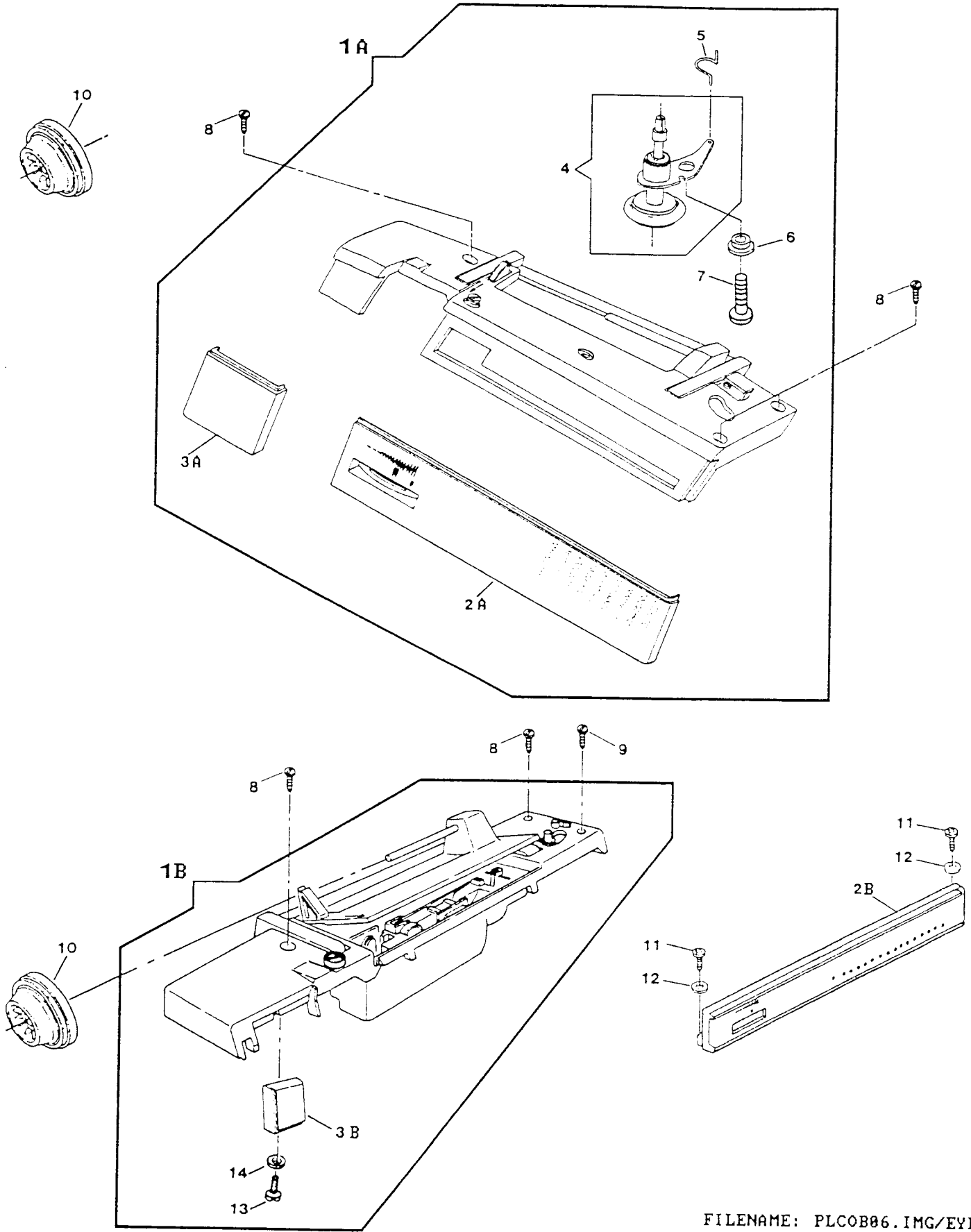
COVERS AND ADD ONS
MODEL: 9030 9033 9044 N503

REF. PART NO. NO.	DESCRIPTION	9N 05 30 03	9N 05 30 43	9N 05 40 43
1	314666			
2	314669			
3	314670			
4	313178			
5	313179			
6	313118			
7	313098			
8	549426-451			
9	312805			
10	312804			
11	137250-451			
12	317226			
13	314259-008			
14	113470-003			
15	313049			
17	137915-001			
17	137915-009			
18	353624			
19	312777			
20	317361-452			
20A	317379-901			
21	312773-454			
22	354633-452			
23	313052-451			
24	313173-451			
25	313909-451			
26	113455-002			
27	314712-451			
28	313177-452			
29A	312774-001			
30A	314239-472			
32	313535			
33A	314744-504			
33A	314744-526			
33A	314744-527			
34A	137586-013			
34A	317009-033			
34A	317009-037			
35A	312657-468			
36A	314676-468			
36B	312664-469			
37	313180			
38	148869			

ARM TOP COVER
 MODEL: 9030 9033 9044 N503

REF. NO.	PART NO.	DESCRIPTION	9N	9N	9N
			05	05	05
			30	30	40
			03	43	43
1A	317027-030	ARM TOP COVER COMPLETE WITH HANDLE (FOR U.S.A.)		X	
1A	317027-034	ARM TOP COVER COMPLETE WITH HANDLE			X
1A	317122-118	ARM TOP COVER COMPLETE WITH HANDLE	X		
2A	314640-811	CONTROL PANEL COMPLETE WITH GRAPHICS	X		
2A	317197-910	CONTROL PANEL WITH GRAPHICS		X	
2A	317197-914	CONTROL PANEL COMPLETE WITH GRAPHICS			X
3A	314703-822	CONTROL PANEL EXTENSION WITH GRAPHICS	X		
3A	314703-823	CONTROL PANEL EXTENSION WITH GRAPHICS			X
3A	314703-827	CONTROL PANEL EXTENSION WITH GRAPHICS		X	
4	312901	BOBBIN WINDER ASSEMBLY	X		
4	314675	BOBBIN WINDER ASSEMBLY		X	X
5	312897	BOBBIN WINDER LEVER SPRING	X	X	X
6	312613	BOBBIN WINDER LEVER HING SCREW SHOULDER WASHER	X	X	X
7	314672	BOBBIN WINDER LEVER HINGE STUD		X	X
7	354927-004	BOBBIN WINDER LEVER HINGE SCREW	X		
8	354927-001	ARM TOP COVER MOUNTING SCREW	X	X	X
10	179967-461	SPOOL PIN THREAD LEAD-OFF	X	X	X

ARM TOP COVER

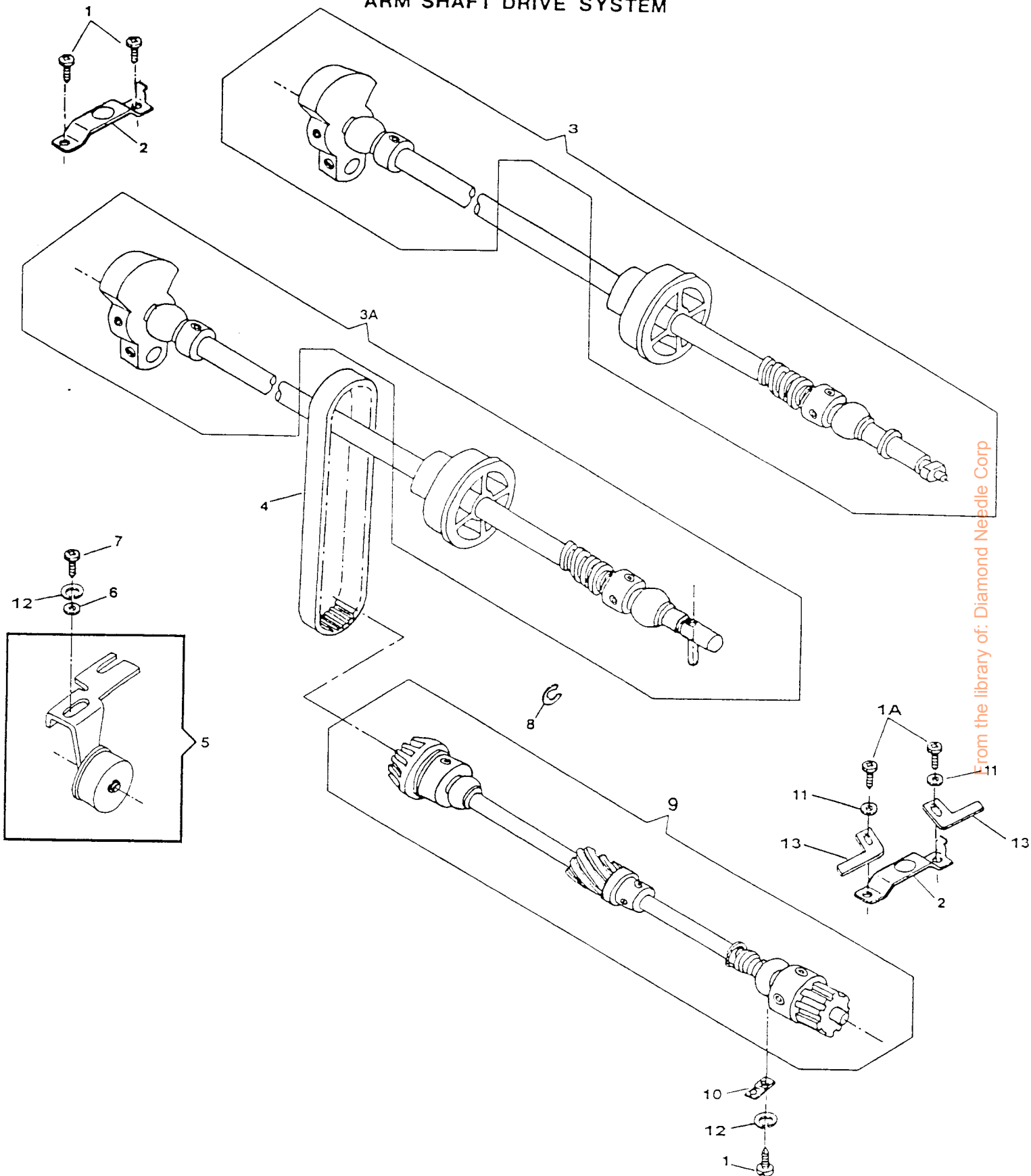


From the library of: Diamond Needle Corp

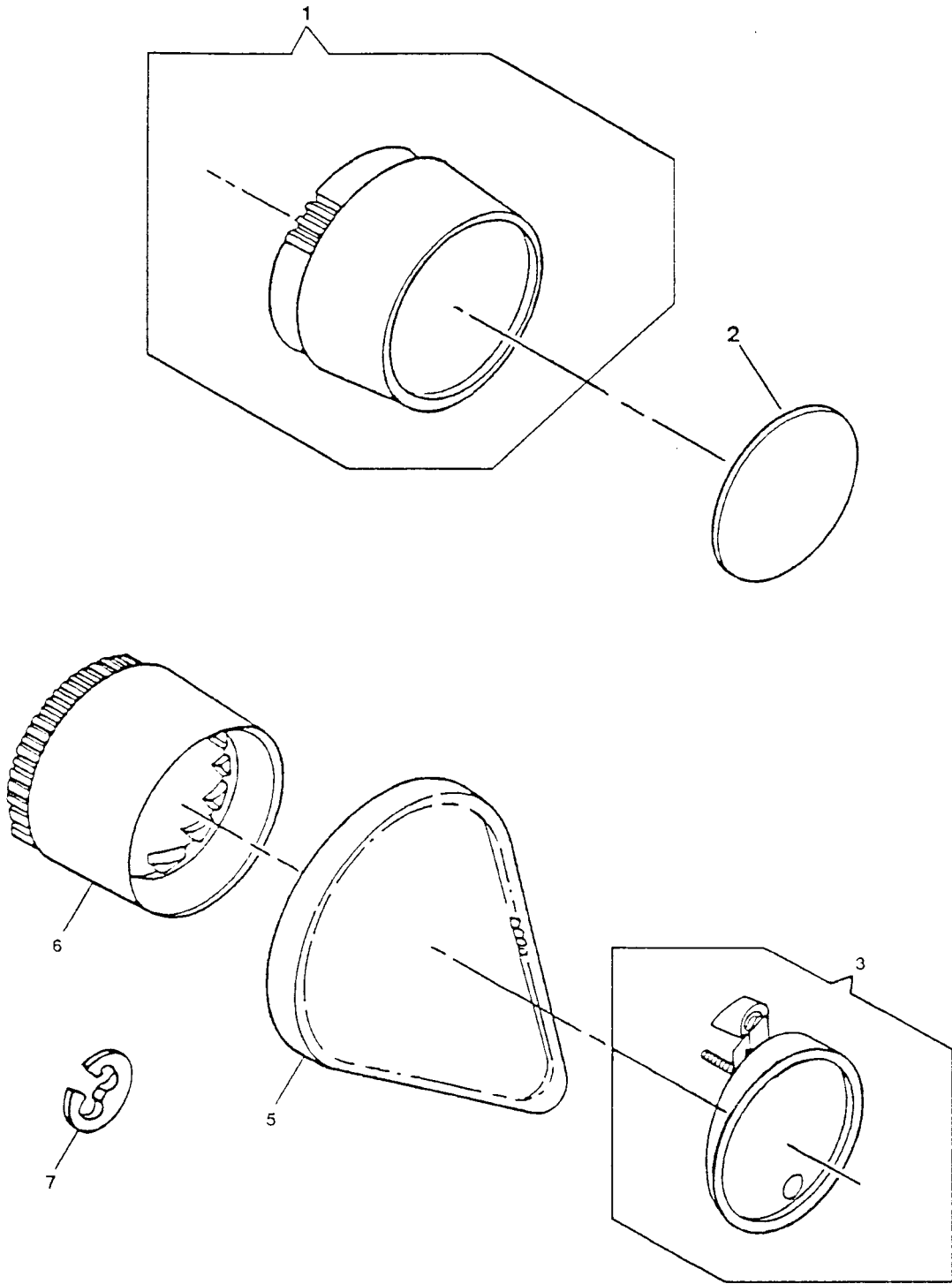
ARM SHAFT DRIVE SYSTEM
 MODEL: 9030 9033 9044 N503

REF. PART NO.	PART NO.	DESCRIPTION	9N	9N	9N
			05	05	05
			30	30	40
			03	43	43
1	113455-002	ARM SHAFT (HORIZONTAL) BUSHING (LEFT) CLAMP SCREW	X	X	X
1A	113455-004	ARM SHAFT (HORIZONTAL) BUSHING (RIGHT) CLAMP SCREW	X	X	X
2	312796	ARM SHAFT (HORIZONTAL) BUSHING (LEFG & RIGHT) CLAMP	X	X	X
3B	286580-001	ARM SHAFT ASSEMBLY (APOLLO)	X	X	X
4	603975-011	BELT (ROTATING HOOK DRIVE) ALT: 603975-012	X	X	X
5	313195	IDLER BRACKET ASSEMBLY	X	X	X
6	314041-451	ROTATING HOOK DRIVING BELT TENSION ADJUSTER SCREW WASHER	X	X	X
7	113455-002	ROTATING HOOK DRIVING BELT TENSION ADJUSTER SCREW	X	X	X
8	313153	HAND WHEEL RETAINING RING	X	X	X
9	370560	ROTATING HOOK DRIVE SHAFT SUB-ASSEMBLY	X	X	X
10	313816	ROTATING HOOK DRIVE SHAFT BUSHING (SELF-ALIGNING) CLAMP	X	X	X
11	316164	WASHER, ROTATING HOOK DRIVE SHAFT BUSHING (SELF-ALIGNING) CLAMP SCREW	X	X	X
12	314013-451	LOCK WASHER, ROTATING HOOK DRIVING BELT TENSION ADJUSTER SCREW	X	X	X
13	137873	MOTOR BELT STOP PLATE	X	X	X

ARM SHAFT DRIVE SYSTEM



From the library of: Diamond Needle Corp

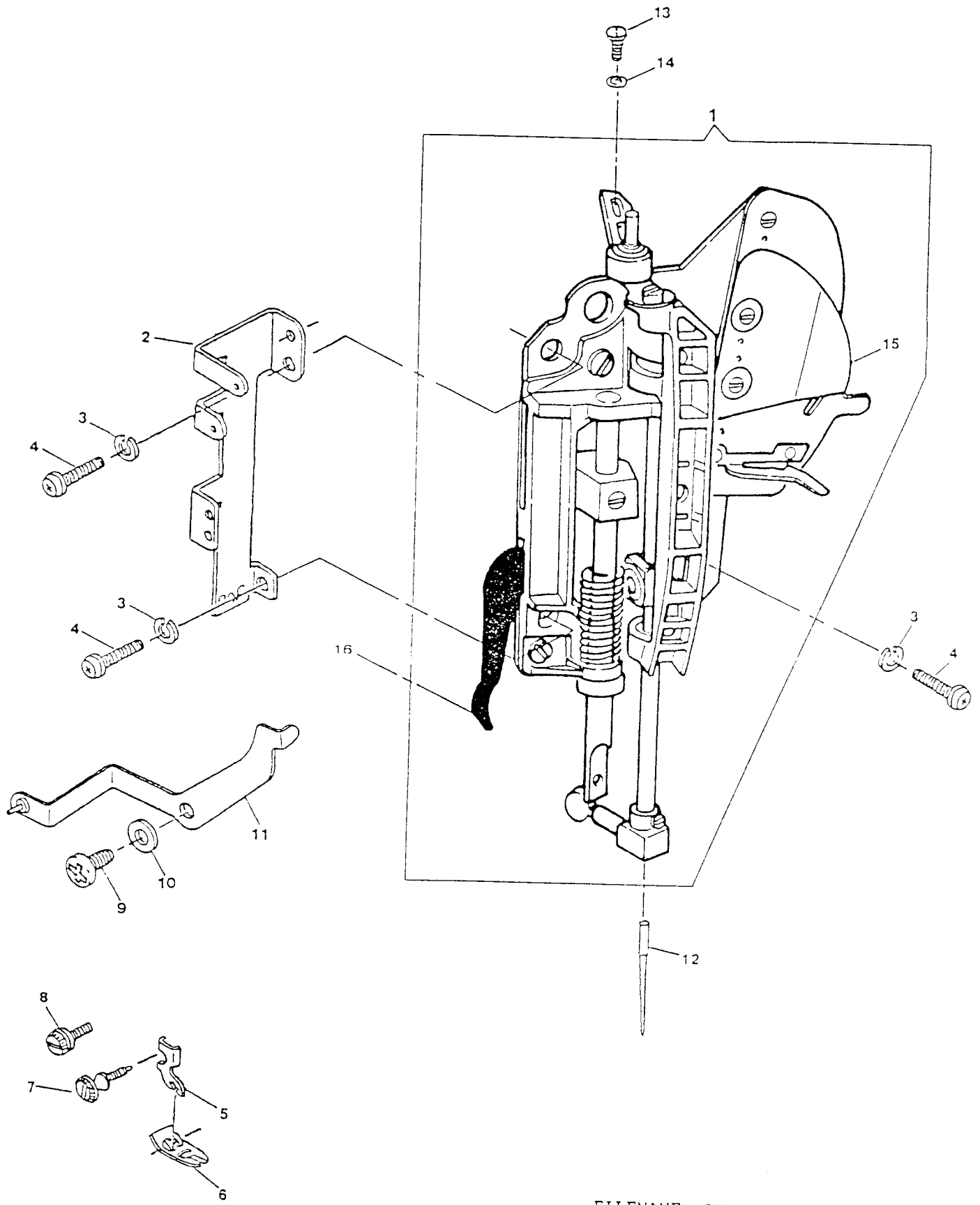


HAND WHEEL
MODEL: 9030 9033 9044 N503

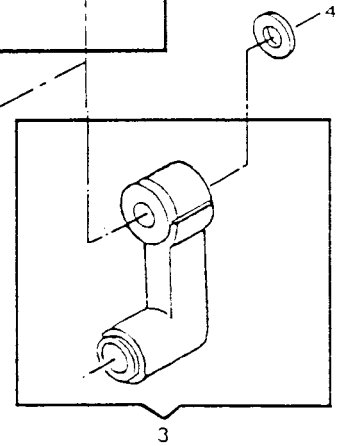
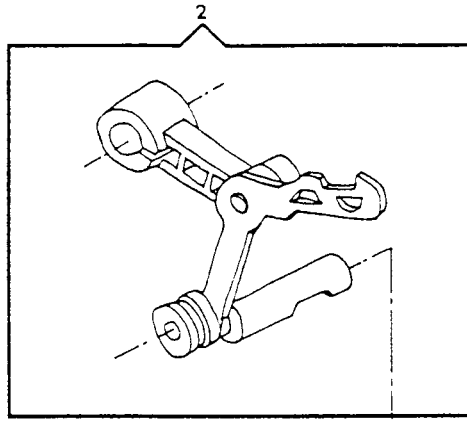
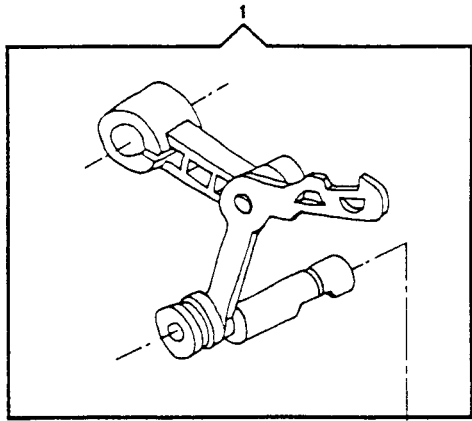
REF. PART NO. NO.	DESCRIPTION	9N	9N	9N
		05	05	05
		30	30	40
		03	43	43
3 316070-001	HAND WHEEL CLUTCH PLATE ASSEMBLY	X	X	X
5 312628-001	BELT (MOTOR DRIVE) ALT: 979285-001	X	X	X
6 137892-451	HAND WHEEL	X	X	X
7 313153	HAND WHEEL RETAINING RING	X	X	X

COAXIAL PRESSER BAR SYSTEM
 MODEL: 9030 9033 9044 N503

REF. PART NO.	PART NO.	DESCRIPTION	9N	9N	9N
			05	05	05
			30	30	40
			03	43	43
1	314695-002	HEAD END MODULE (APOLLO)	X	X	X
2	314591	FACE PLATE MOUNTING BRACKET	X	X	X
3	313955-451	HEAD END MOUNTING PLATE LOCK WASHER	X	X	X
4	113455-012	HEAD END MOUNTING PLATE SCREW	X	X	X
5	163706-451	PRESSER FOOT SHANK (SNAP-ON)	X	X	X
6	313150	PRESSER FOOT PLATE (SNAP-ON) FOR ZIG-ZAG SEWING	X	X	X
7	113531-451	PRESSER FOOT THUMB SCREW	X	X	X
9	113455-001	NEEDLE THREAD TENSION RELEASE LEVER HINGE SCREW	X	X	X
10	314041-451	NEEDLE THREAD TENSION RELEASE LEVER RETAINING WASHER	X	X	X
11	314589	NEEDLE THREAD TENSION RELEASE LEVER ASSEMBLY		X	X
11	317401	NEEDLE THREAD TENSION RELEASE LEVER ASSEMBLY	X		
12	N2020-014	NEEDLE (SIZE NO.14)	X	X	X
13	113408-001	NEEDLE BAR DRIVING ARM BALL JOINT SCREW	X	X	X
14	931929-004	NEEDLE BAR DRIVING ARM BALL JOINT SCREW WASHER	X	X	X
15	314690	THREAD PINCH PLATE	X	X	X
16	314582	PRESSER BAR LIFTER	X	X	X



From the library of: Diamond Needle Corp



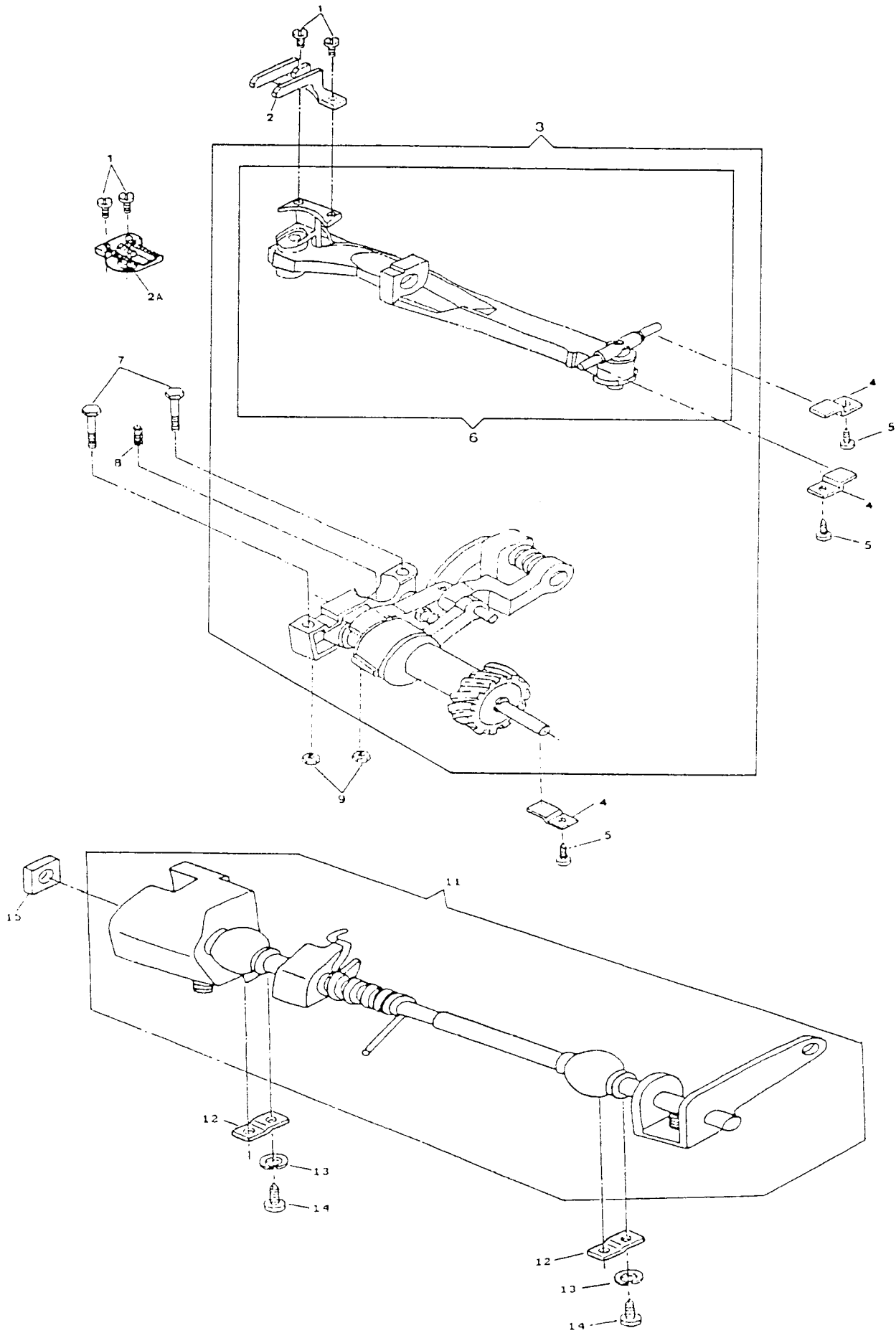
NEEDLE BAR AND THREAD TAKE-UP
 MODEL: 9030 9034 9044 (N503)

REF. NO.	PART NO.	DESCRIPTION	9N	9N	9N
			05	05	05
			30	30	40
			03	43	43
1	314694	THREAD TAKE-UP COMPLETE (APOLLO)	X	X	X
3	137528-901	NEEDLE BAR CONNECTING LINK	X	X	X
4	314071	WASHER, THREAD TAKE-UP LEVER	X	X	X

ALPHA FEED
 MODEL: 9030 9034 9044 (N503)

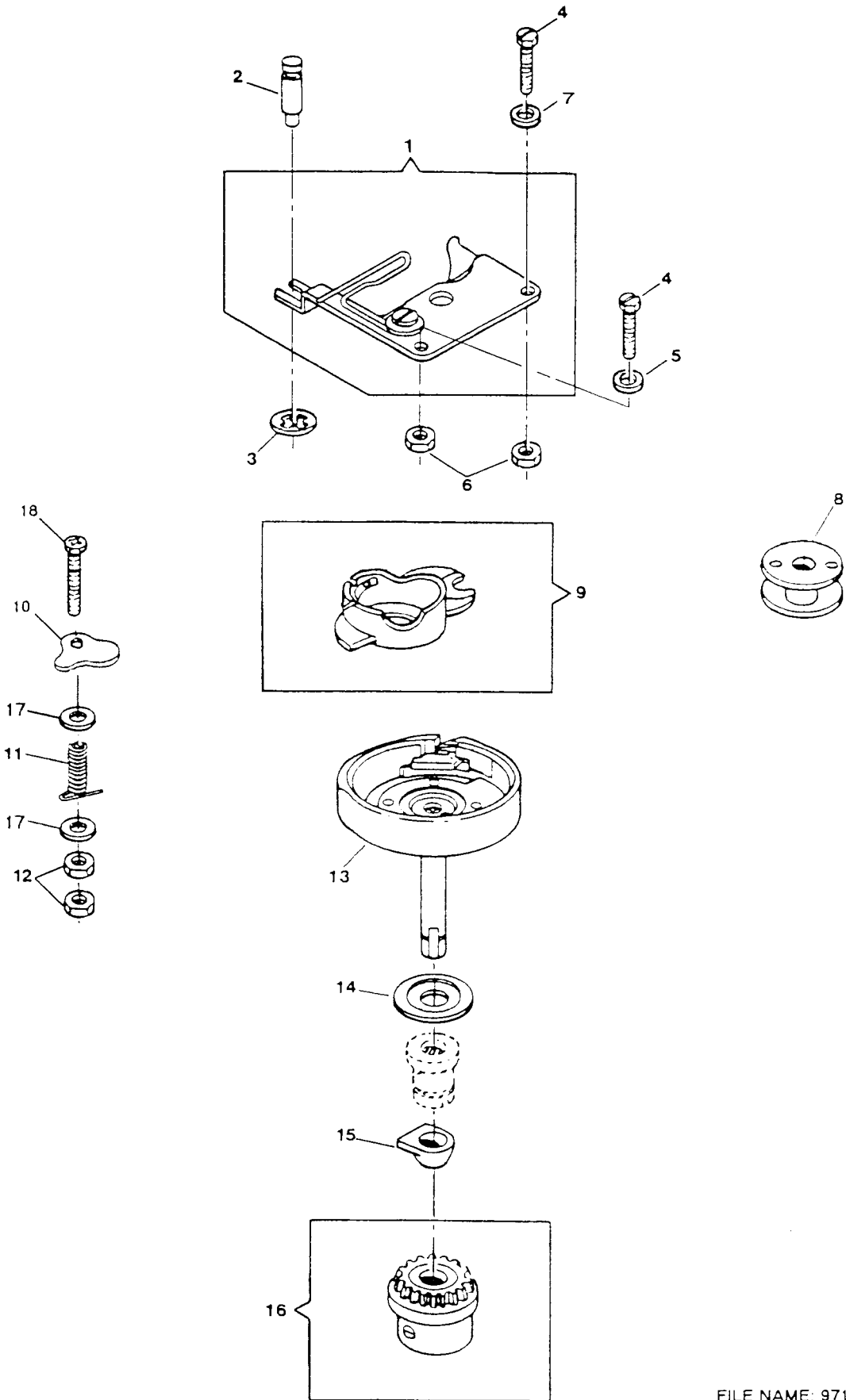
REF. PART NO.	PART NO.	DESCRIPTION	9N	9N	9N
			05	05	05
			30	30	40
			03	43	43
1	141920-452	FEED DOG SCREW	X	X	X
2A	312679	FEED DOG (APOLLO)	X	X	X
3	313011	ALPHA FEED MODULE	X	X	X
4	312851	FEED BAR PIVOT HING STUD CLAMP	X	X	X
5	113455-003	CLAMP SCREW	X	X	X
6	314141	FEED BAR ASSEMBLY	X	X	X
7	354921-451	FEED & ROTATING HOOK DRIVE SHAFT BEARING BLOCK SCREW	X	X	X
8	314070	ROTATING HOOK DRIVE SHAFT BUSHING SPING	X	X	X
9	514674-451	FEED & ROTATING HOOK DRIVE SHAFT BEARING BLOCK MOUNTING SCREW NUT	X	X	X
11	313133	FEED REGULATOR SHAFT ASSEMBLY	X	X	X
12	313816	FEED REGULATOR SHAFT BUSHING (SELF-ALIGNING) CLAMP	X	X	X
13	314013-451	FEED REGULATOR SHAFT BUSHING (SELF-ALIGNING) CLAMP SCREW LOCK WASHER	X	X	X
14	113455-001	FEED REGULATOR SHAFT BUSHING (SELF-ALIGNING) CLAMP SCREW	X	X	X
15	511030	FEED REGULATOR SLIDE BLOCK	X	X	X

ALPHA FEED



From the library of: Diamond Needle Corp

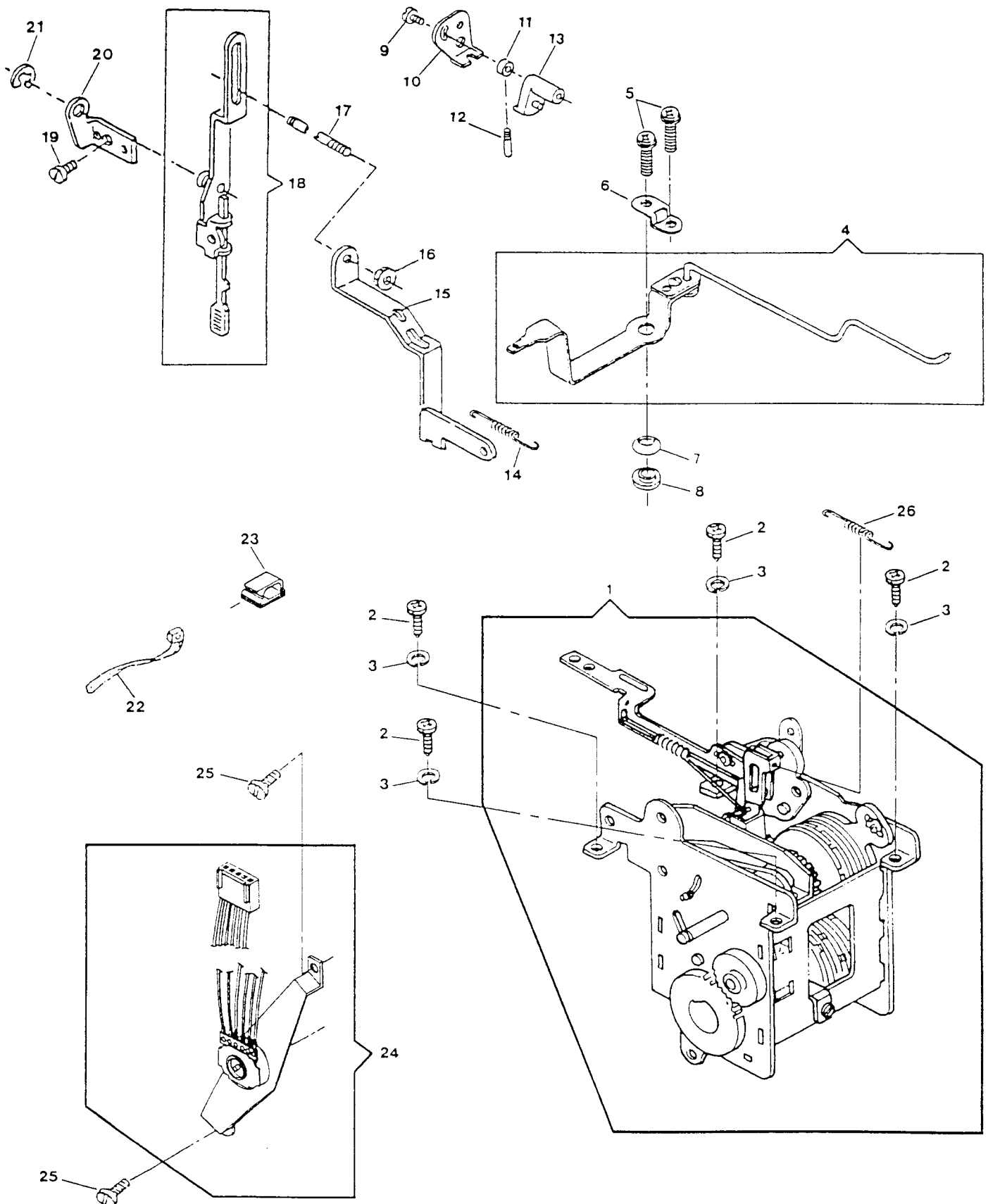
HOOK SYSTEM (APOLLO)



HOOK SYSTEM (APOLLO)
MODEL: 9030 9034 9044 (N503)

REF. NO.	PART NO.	DESCRIPTION	9N	9N	9N
			05	05	05
			30	30	40
			03	43	43
1	313089	ROTATING HOOK BOBBIN CASE POSITION PLATE ASSEMBLY	X	X	X
2	312603	ROTATING HOOK BOBBIN CASE POSITION PLATE HOLD DOWN STUD	X	X	X
3	313161	ROTATING HOOK BOBBIN CASE POSITION PLATE HOLD DOWN STUD RETAINER	X	X	X
4	113439-451	ROTATING HOOK BOBBIN CASE POSITION PLATE SCREW	X	X	X
5	313190-451	ROTATING HOOK BOBBIN CASE POSITION PLATE SCREW WASHER	X	X	X
6	313945-451	ROTATING HOOK BOBBIN CASE POSITION PLATE SCREW NUT	X	X	X
7	446138	ROTATING HOOK BOBBIN CASE POSITION PLATE SCREW WASHER (RIGHT)	X	X	X
8	172336-001	ROTATING HOOK BOBBIN (PLASTIC)	X	X	X
9	421325	ROTATING HOOK BOBBIN CASE COMPLETE	X	X	X
10	313395-900	ROTATING HOOK BOBBIN CASE RETAINING PLATE SUB-ASSEMBLY	X	X	X
11	44892	ROTATING HOOK BOBBIN CASE RETAINING PLATE STUD SPRING	X	X	X
12	514674-451	ROTATING HOOK BOBBIN CASE RETAINING PLATE STUD RETAINING RING	X	X	X
13	447926-932	ROTATING HOOK COMPLETE	X	X	X
14	314049-001	ROTATING HOOK FLANGED BUSHING THRUST WASHER	X	X	X
15	312847	ROTATING HOOK FLANGED BUSHING WASHER	X	X	X
16	314012	ROTATING HOOK BEVEL GEAR COMPLETE	X	X	X
17	931929-004	WASHER, BOBBIN CASE RETAINING	X	X	X
18	137315-453	ROTATING HOOK BOBBIN CASE RETAINING PLATE SCREW	X	X	X

PATTERN STITCH LENGTH CONTROL AND CAM CONTROLLED FEED



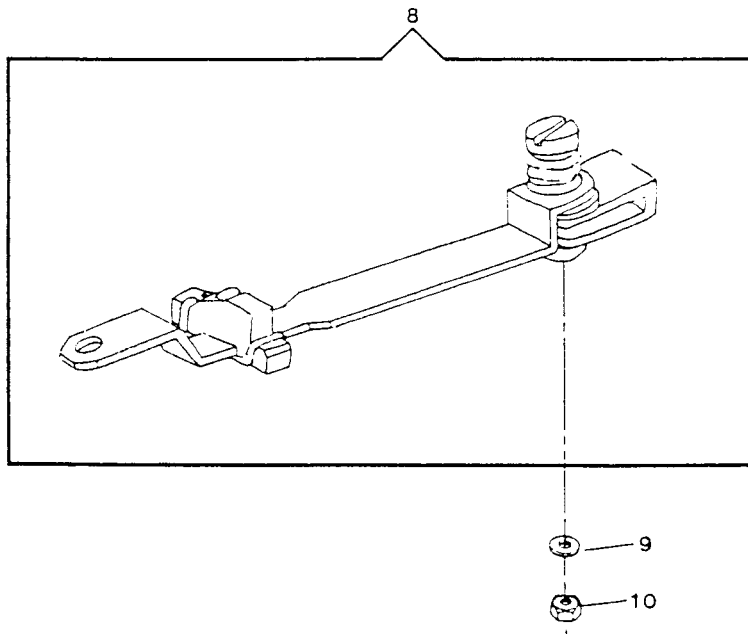
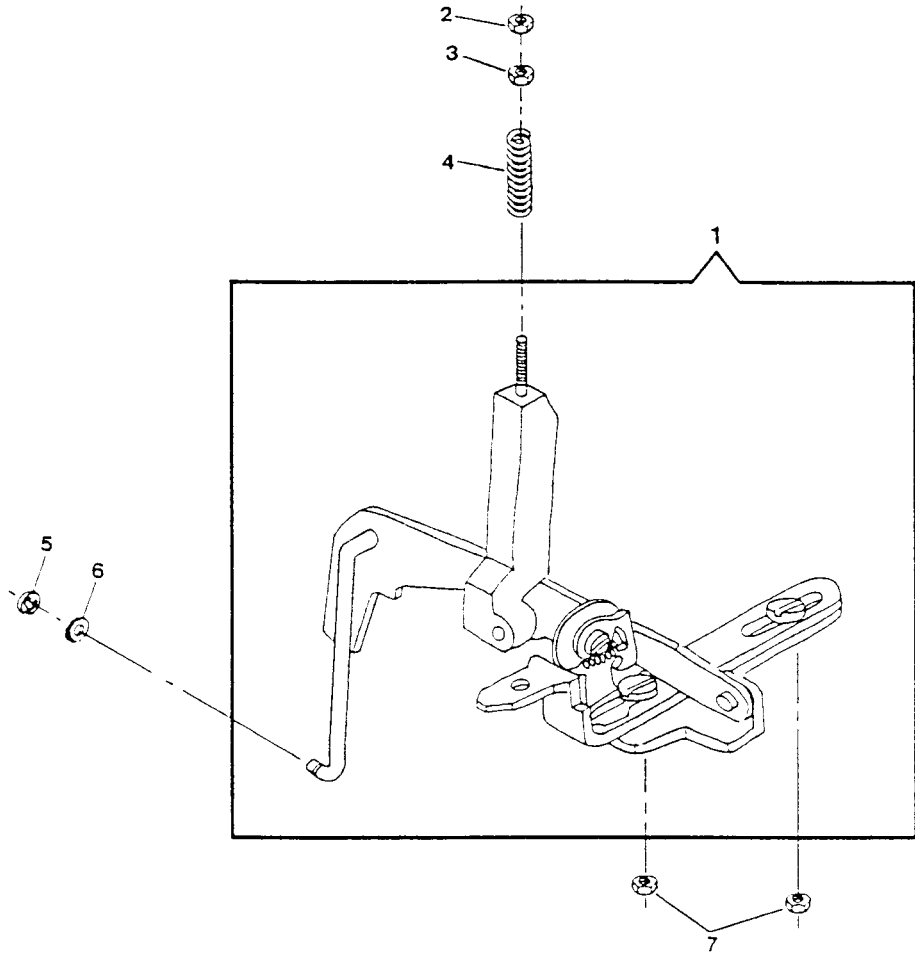
From the library of: Diamond Needle Corp

PATTERN, STITCH LENGTH CONTROL & CAM CONTROLLED FEED
 MODEL: 9030 9034 9044 (N503)

REF. NO.	PART NO.	DESCRIPTION	9N	9N	9N
			05	05	05
			30	30	40
			03	43	43
1	314601-001	PATTERN SELECTOR MODULE	X		
1	314732-003	PATTERN SELECTOR MODULE		X	X
2	113455-001	DISCSELECTOR MECHANISM MOUNTING PLATE SCREW (LEFT AND RIGHT)	X	X	X
3	314013-451	DISC SELECTOR MECHANISM MOUNTING PLATE SCREW (LEFT AND RIGHT)	X	X	X
4	314607-003	BIGHT AMPLITUDE CONTROL LEVER ASSEMBLY	X	X	X
5	113455-001	BIGHT AMPLITUDE CONTROL LEVER STOP ADJUSTMENT SCREW	X	X	X
6	314683	BIGHT AMPLITUDE CONTROL LEVER RETAINER	X	X	X
7	353457	BIGHT AMPLITUDE CONTROL LEVER FRICTION WASHER	X	X	X
8	314611	BIGHT AMPLITUDE CONTROL LEVER SHOULDER WASHER	X	X	X
9	544211-010	BUTTONHOLE ACTUATOR CAM ADJUSTING BRACKET SCREW		X	X
10	313073	BUTTONHOLE ACTUATOR CAM ADJUSTING BRACKET		X	X
11	313022	BUTTONHOLE FOLLOWER HUB RELEASE		X	X
12	313023	BUTTONHOLE FOLLOWER HUB RELEASE PIN		X	X
13	313025	BUTTONHOLE ACTUATOR CAM		X	X
14	313799-001	BUTTONHOLE ACTUATOR ADJUSTING ROD SPRING		X	X
15	313005	BUTTONHOLE DISC CONTROL CATCH RELEASE LINK		X	X
16	314763-451	BUTTONHOLE TRIPPING ROD ADJUSTING & LOCKING NUT		X	X
17	312982	BUTTONHOLE TRIPPING LEVER ROD		X	X
18	312994-002	BUTTONHOLE KICK-OUT TRIPPING ROD LEVER ASSEMBLY		X	X
19	354877-451	BUTTONHOLE PIVOT LEVER SCREW		X	X
20	313392	BUTTONHOLE LEVER PIVOT		X	X
21	312685	BUTTONHOLE KICK-OUT SHAFT TRIPPING LEVER RETAINING RING		X	X
22	314497	NEEDLE BAR DRIVING ARM SLIDE POSITIONING SPRING		X	X
26	314497	NEEDLE BAR DRIVING ARM SLIDE POSITIONING SPRING	X		

Font: the Library of Darbould Needle Corp

PATTERN STITCH LENGTH CONTROL AND CAM CONTROLLED FEED (CONT.)



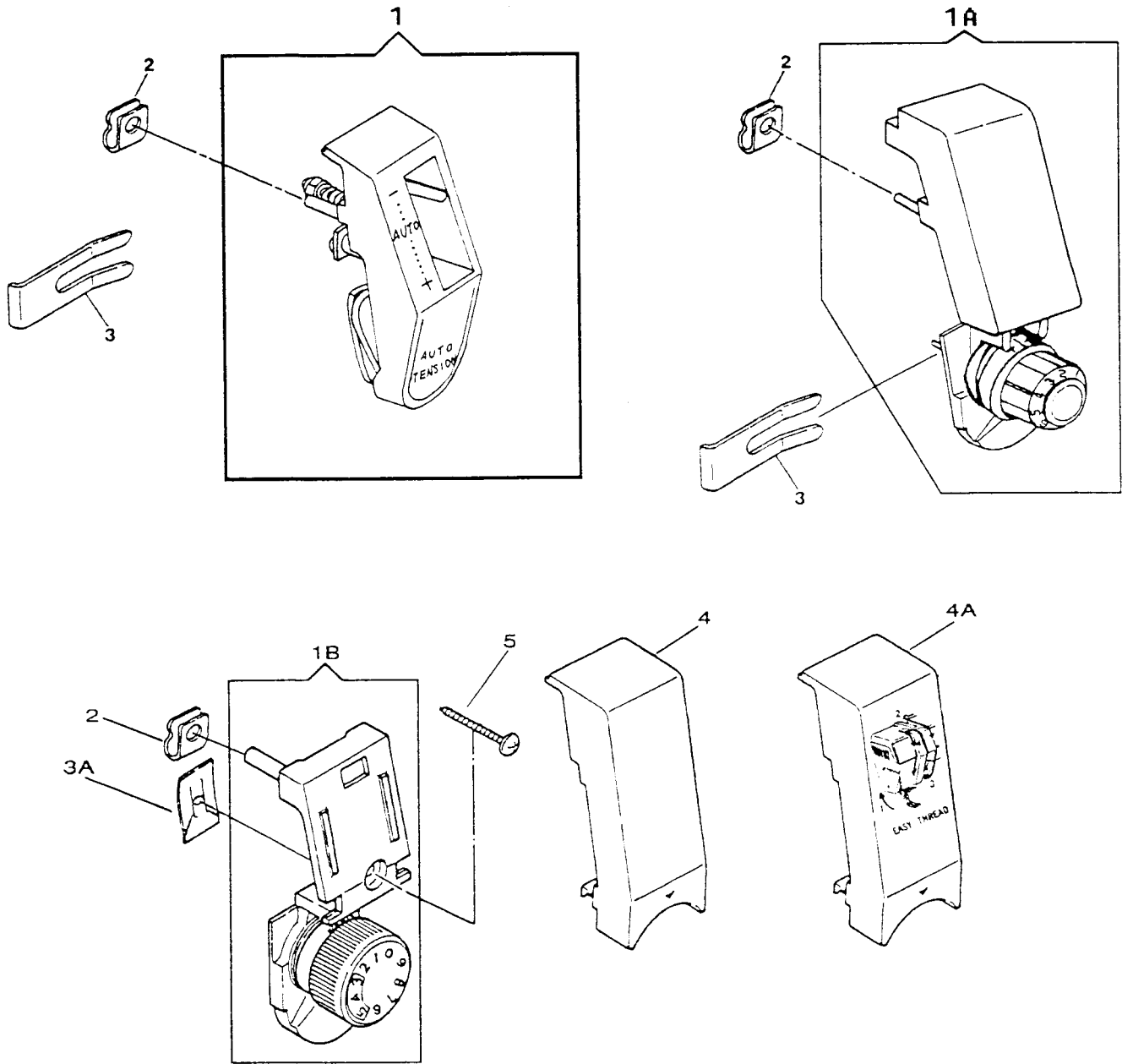
From the library of: Diamond Needle Corp

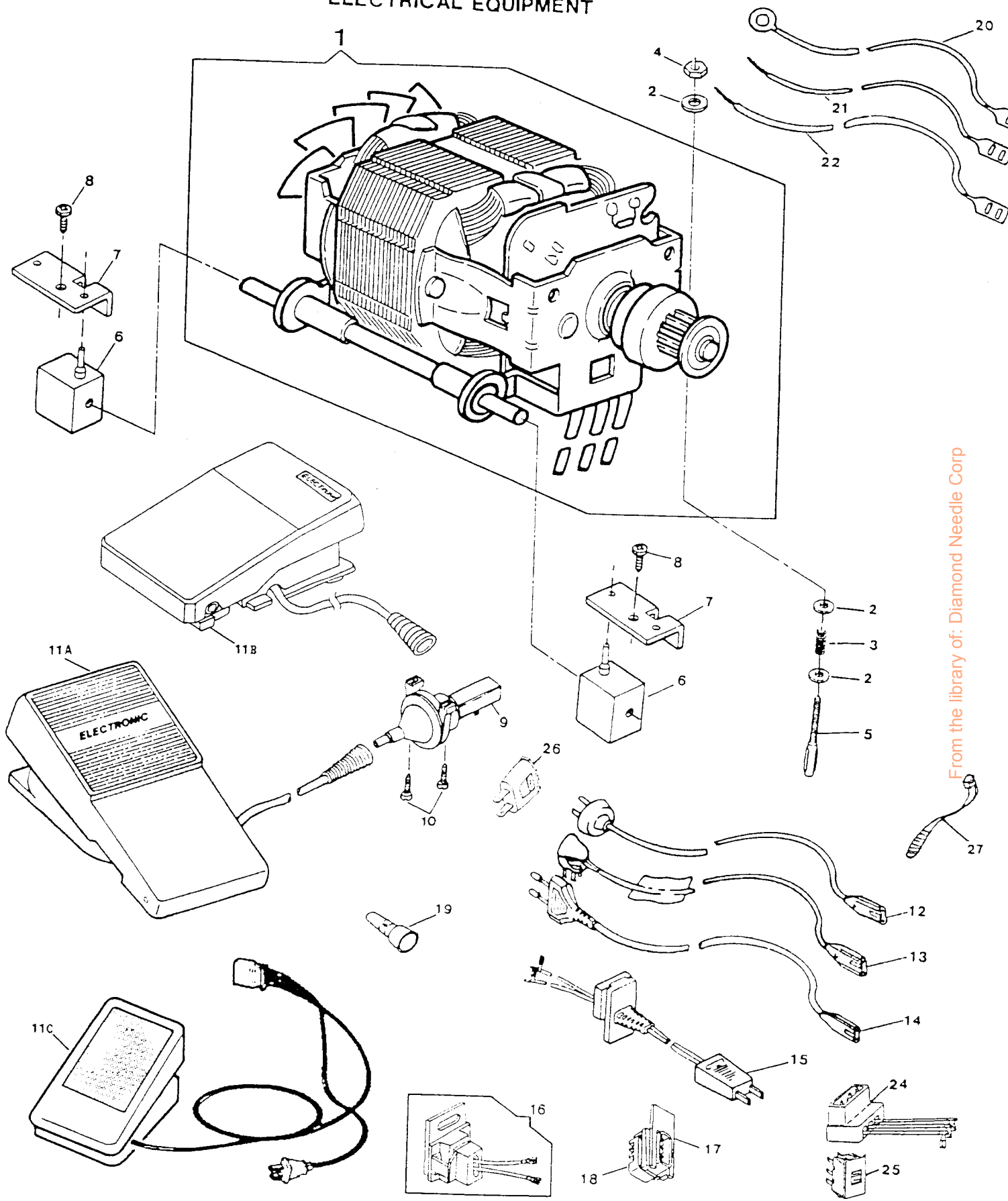
PATTERN, STITCH LENGTH CONTROL & CAM CONTROLLED FEED (CONT.)
 MODEL: 9030 9034 9044 (N503)

REF. PART NO. NO.	DESCRIPTION	9N	9N	9N
		05	05	05
		30	30	40
		03	43	43
1 314300-001	FEED REVERSE MECHANISM	X	X	X
2 514674-451	CAM CONTROLLED FEED CONNECTING ROD LOCKING NUT	X	X	X
3 312645-451	CAM CONTROLLED FEED DISC FOLLOWER ACTUATOR CONNECTING ROD ADJUSTING	X	X	X
4 313143	CAM CONTROLLED FEED DISC FOLLOWER ACTUATOR CONNECTING ROD SPRING	X	X	X
5 312702	FEED LEVER CONNECTING LINK RETAINING RING	X	X	X
6 313891	CAM CONTROLLED FEED CONNECTING ROD STABILIZING WASHER	X	X	X
7 514674-451	REVERSE FEED CONTROL LEVER GUIDE SCREW NUT	X	X	X
8 313569-001	STITCH LENGTH CONTROL LEVER ASSEMBLY	X	X	X
9 314712-451	STITCH LENGTH CONTROL LEVER PIVOT LOCK WASHER	X	X	X
10 313177-451	STITCH LENGTH CONTROL LEVER NUT	X	X	X

DEMAND RESPONSIVE NEEDLE TENSION SYSTEM
 MODEL: 9030 9034 9044 (N503)

REF. PART NO.	PART NO.	DESCRIPTION	9N	9N	9N
			05	05	05
			30	30	40
			03	43	43
1	137886-011	THREAD TENSION MODULE		X	X
1B	137574-001	THREAD TENSION MODULE	X		
2	313199	TENSION COVER MOUNTING RETAINER		X	X
3	313047-451	TENSION COVER RETAINING CLIP		X	X
3A	137584	TENSION COVER RETAINING CLIP	X		
4A	137698-001	TENSION COVER ASSY (FRONT) WITH THREADING INSTRUCTION LABEL	X		
5	137588-451	TAPPING SCREW	X		





From the library of: Diamond Needle Corp

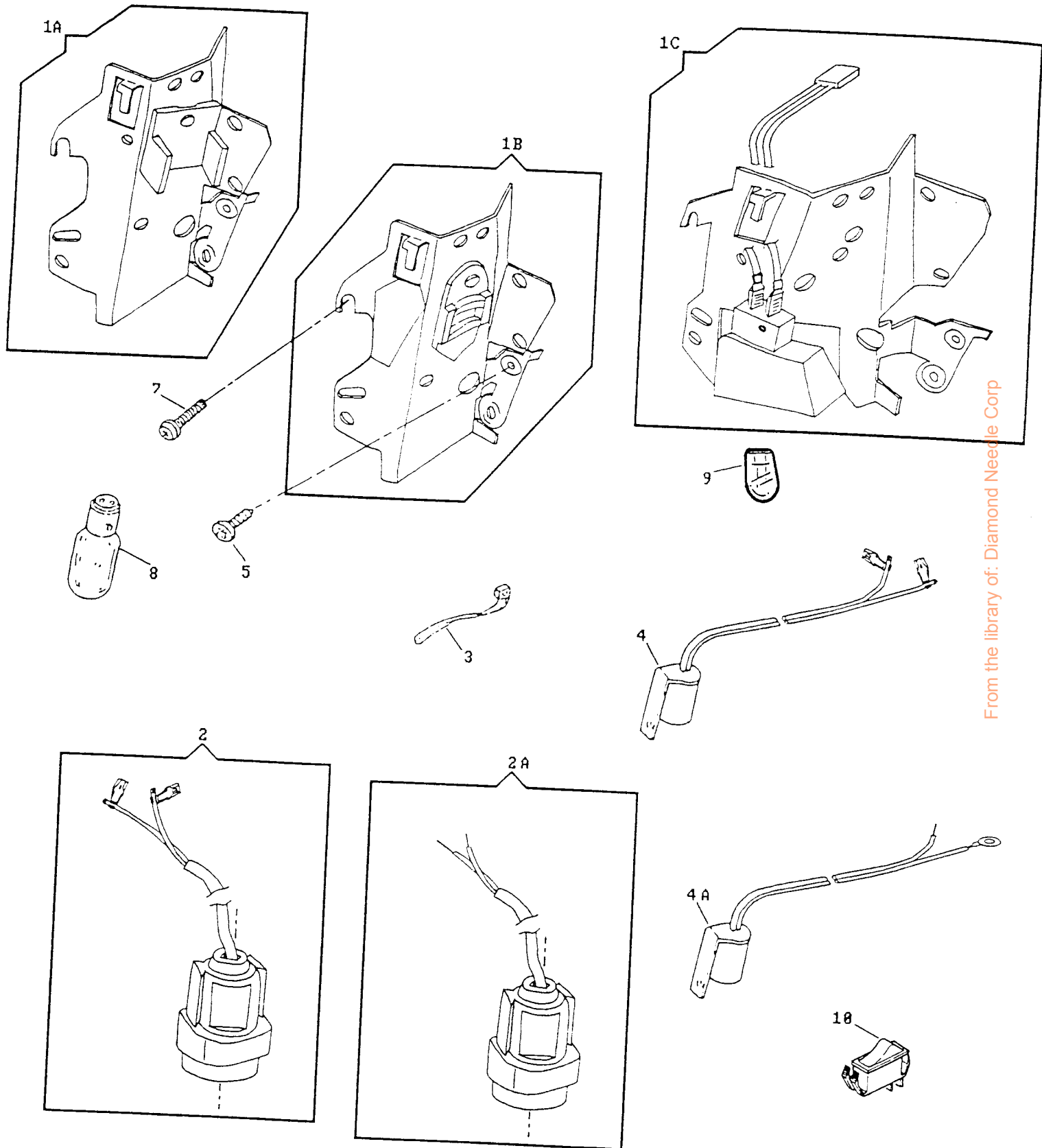
ELECTRICAL EQUIPMENT
 MODEL: 9030 9034 9044 (N503)

REF. PART NO.	PART NO.	DESCRIPTION	9N	9N	9N
			05	05	05
			30	30	40
			03	43	43
1	317352	MOTOR COMPLETE (120V CARBON PILE)	X	X	X
2	37969	MOTOR ADJUSTING STUD NUT WASHER	X	X	X
3	314058-001	MOTOR BELT TENSION SPRING	X	X	X
4	53646	MOTOR ADJUSTING STUD NUT	X	X	X
5	988653-001	MOTOR ADJUSTING STUD	X	X	X
6	979329-001	RESILIENT MOUNT	X	X	X
7	988651-001	CLIP	X	X	X
8	113470-004	MOTOR MOUNTING SCREW	X	X	X
11C	319003-003	TRIAC FOOT CONTROLLER ASSEMBLY	X	X	X
17	317374-901	HOLDER (120V)	X	X	X
18	317421	RECEPTACLE (120V)	X	X	X
19	317355	WIRE CONNECTOR	X	X	X
20	317356-001	LEAD (A) W/TERMINAL ASSEMBLY (120V)	X	X	X
21	317356-002	LEAD (B) W/TERMINAL ASSEMBLY (120V)	X	X	X

From the library of: Diamond Needle Corp

ELECTRICAL EQUIPMENT (CONT.)
 MODEL: 9030 9034 9044 (N503)

REF. PART NO.	PART NO.	DESCRIPTION	9N	9N	9N
			05	05	05
			30	30	40
			03	43	43
1B	314823-003	LINT AND HEAD SHIELD ASSEMBLY (120V)	X	X	X
3	540899	TY-WRAP SELF-LOCKING	X	X	X
4A	317397-902	LAMP SOCKET ASSEMBLY (120V, DOUBLE INSULATION)	X	X	X
5	113470-003	THREAD TAKE-UP COVER AND LINT/HEAT SHIELD SCREW	X	X	X
7	137813-002	SCREW, LINT AND HEAT SHIELD MOUNTING	X	X	X
8	194120-019	LIGHT BULB (120V) (ALT:542656-005) (DUAL VOLTAGE FOR U.S.A/KOREA/GERMANY & H.K.)	X	X	X
10	979585-207	ROCKER SWITCH (#3913)	X	X	X



From the library of: Diamond Needle Corp